



AGRICULTURAL MECHANIZATION DEVELOPMENT PROGRAM

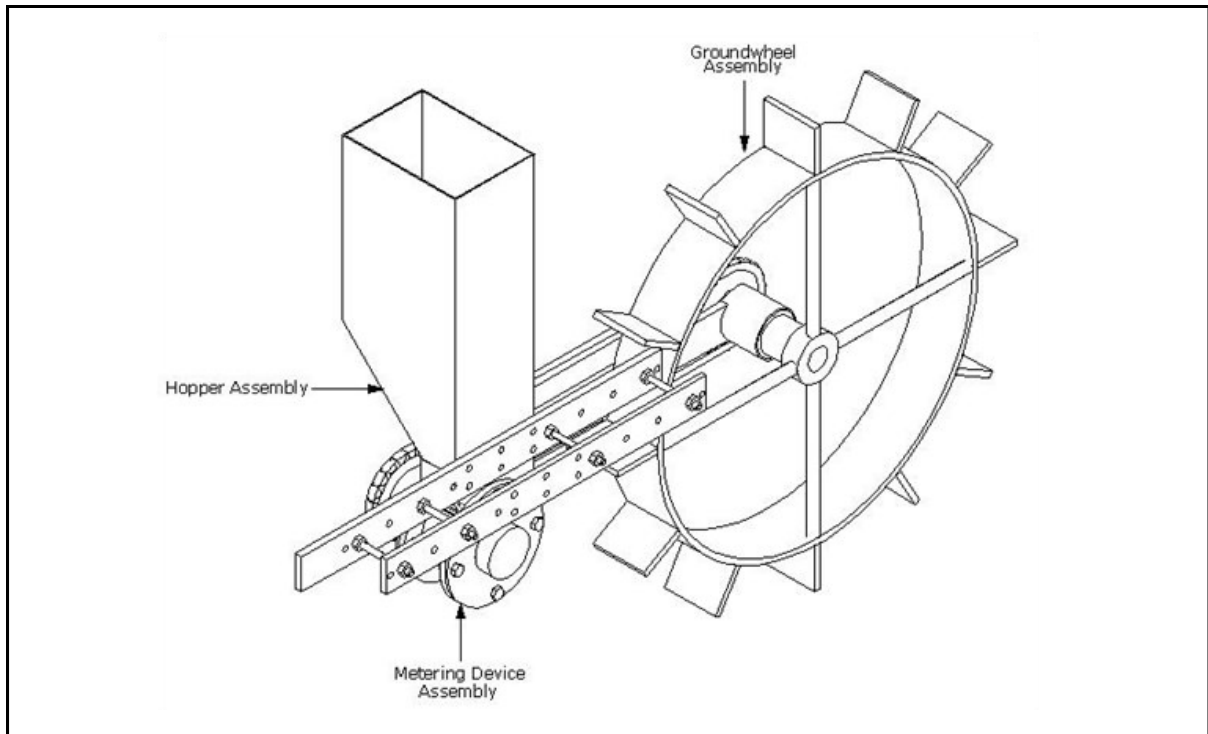
**Institute of Agricultural Engineering
College of Engineering and Agro-Industrial Technology
University of the Philippines Los Baños
College, Laguna, Philippines**

ANIMAL DRAWN PLOW-MOUNTED CORN SEEDER



For more information, contact:

**The Program Manager
Agricultural Mechanization Development Program
Institute of Agricultural Engineering
College of Engineering and Agro-industrial Technology
University of the Philippines Los Baños
College, 4031 Laguna, Philippines
Tel. No. (049)536-2686, Telefax No: (049)536-3606
Email: amd@uplb.edu.ph or amdpubl@gmail.com
Website: <http://iae.uplb.edu.ph/index.php/amdp>**



FEATURES:

- Cell-type metering device made of engineering plastic
- In-row hill spacing can be adjusted by means of sprocket combination between GW and metering device
- No. of seeds per hill, 1-3 seeds
- Slight modification of mounting to fit any type of carabao-drawn-plow

SPECIFICATIONS:

Type of Machine: Animal-drawn, plow-mounted
 Field Capacity: 0.2 - 0.5 ha/day
 Construction: all steel with plastic metering device
 Dimensions (mm):
 Length: 820 mm.
 Width: 215 mm.
 Height: 565 mm.
 Number of operator: one person

METHOD OF OPERATION:

Bench-Test Result:

Variety	Cell Diameter, mm							
	12				14			
	No. of seeds per hill, %				No. of seeds per hill, %			
	0	1	2	3	0	1	2	3
IPV Var 6	13.0	54.0	30.5	2.5	4.0	7.5	50.5	38.0
IPV Var 8	0	63.0	33.5	3.5	1.0	37.5	54.0	7.5